

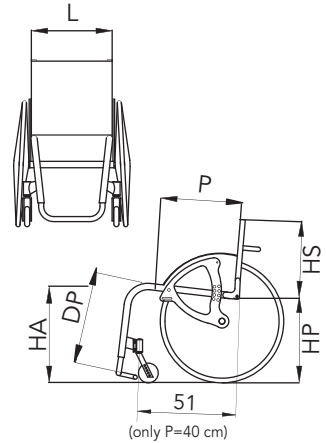
Order N° _____ Quotation
 Date _____ Signature _____
 Customer Ref. _____ User's weight Kg _____

Dealer _____

Key standard option

FENICE

- L** Seat width 34 36 38 40 42 44
P Seat depth 36 38 40 42 44
HS Back-rest height 27 29 31 33 35 37 39
HA Front seat/floor height 46 48 50
HP Rear seat/floor height 40 42 44 46
DP Foot-rest/seat distance 35 37 39 41 43 45 47 49 cm



- Colore telaio** ①
 Metallic grey Pearl white
 Glossy black Matt black
 ----- (see "Colours" catalogue)
 Neon green Neon orange

- Upholstery** ②
 Tension adjustable nylon backrest
 Tension adj. breathable backrest
 Without back-rest for seating system:
 FAMEKH (separate order form)
 other seating system: -----

- Single tubular foot-plate & Front frame** ③
 (***) height adjustable only with Y shaped or straight front frame
 Open (**)
 Carbon fibre closed (**)
 Tilt adjustable carbon fibre closed (with with Y or V shaped front frame)
 Standard footrest colour: same as frame colour

- Pushing handles** ④
-
- Without any pushing handles Standard pushing handles Height adj. pushing handles Foldable pushing handles

- Distance between the hub centre and back-rest** ⑤
-
- 7 cm 13 cm
 9 cm (standard) 15 cm
 11 cm

- Back-rest tilt** ⑥
-
- 89°
 91° (standard)
 93°

- Front opening angle** ⑦
-
- 90° (standard) (A = 16 cm)
 95° (A = 22 cm)
(approximate standard measures)

- Rear wheel camber** ⑧
- 1° 2° 3° 4°
- Quick rel. axles Ø 12 mm (default)
 Quick rel. axles Ø 1/2" (12,7 mm)
 Cambered bushes length 42 mm (def.)
 Cambered bushes length 50 mm

- Side guards** ⑨
-
- Carbon fibre Plastic

- "L" arm-rest, detachable, h 22cm ⑩
-
- Elbow-rest**
 Tubular
 Straight (26 cm long)
 Classic (23 cm long)
 Classic (30 cm long)

- Brakes** ⑪
-
- Standard
 Composite
 Scissor brakes

- Revolving anti tip device** ⑫
-
- Right
 Left

Notes _____

